



### SPECIFICATIONS

#### Electrical:

- 1.Current Rating: 1.0A / contact terminal
- 2.Voltage Rating: 30V DC
- 3.Contact Resistance: 50 milliohms Max
- 4.Dielectric Withstanding Voltage: 300 V AC AT Sec Level
- 5.Insulation Resistance: 100 MEGA ohms Min

#### Mechanical:

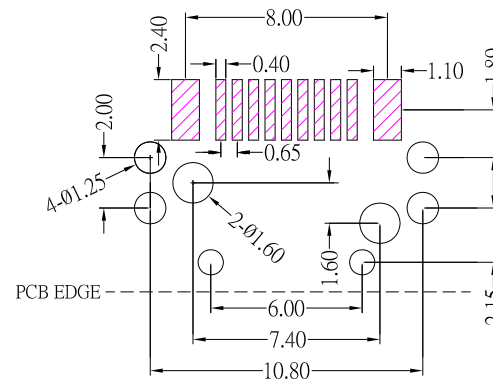
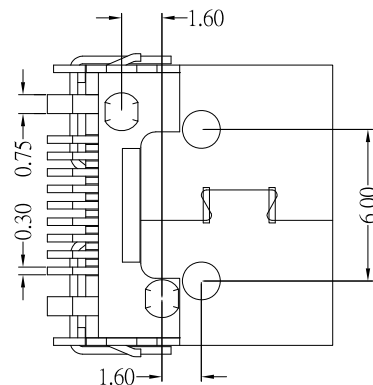
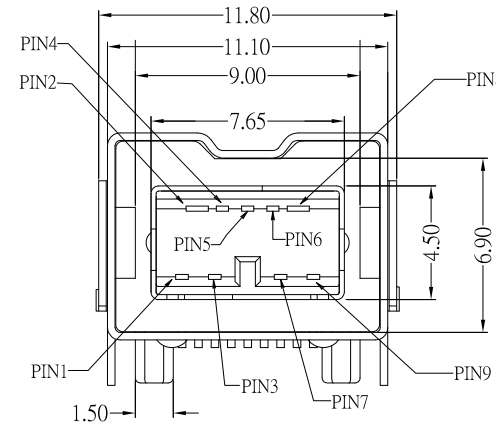
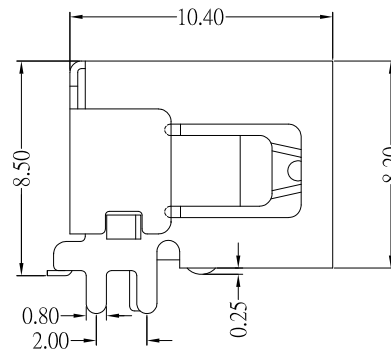
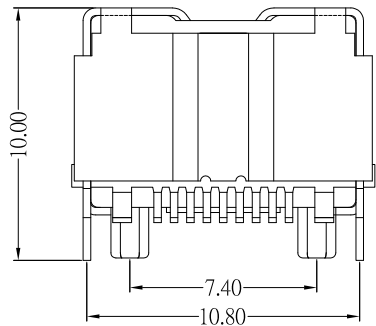
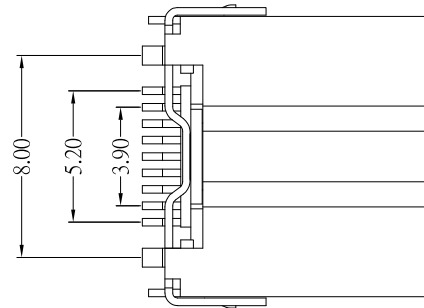
- 1.Connector Mate and Unmate Force  
Mate force: 3.0 kgf (Max)  
Unmate force: 0.7 kgf (Min)
- 2.Terminal Retention: 0.5 kgf (Min)

#### Material:

- 1.Housing:  
High Temperature Thermal Plastics,  
UL 94V-0 , LCP , Black
- 2.Contact: PHOSPHOR BRONZE
- 3.Shell: BRASS

#### Finish:

- 1.Contact: Plated Gold in Mating Area ;  
Gold Plated on Solder Balls  
Nickel under plated overall
- 2.Shell: Nickel under Plated surface layer



P.C.B LAYOUT MOUNTING PATTERN



TOLERANCE UNLESS OTHERWISE STATED:

Up to 5 ±0.2  
Above 5 ~ 15 ±0.3  
Above 15 ~ 30 ±0.4  
Above 30 ~ 50 ±0.5  
Angle ±0.3°

3RD. ANGEL'S



UNITS

MM

DRAWN BY: Jack Lu  
CHECKED BY: Jacky Chen  
APPROVED BY: Tony Kao

DATE: 02/19/14  
DATE: 02/19/14  
DATE: 02/19/14

MAT'L		TITLE	CONNECTOR
FINISH		MODLE	1394B 9P FEMALE R/A,SMT,斜脚
SCALE	1 : 1	DWG NO.	SUC-1394H-9P-S175
SHEET NO.	1 of 1	PART NO.	SUC-1394H-9P-S175

ITEM NO.	DESCRIPTION	DRAWN	DATE
1	更新端子鍍層	Jack	021914